

PIN OUT

LABEL

OPEN 2*4PIN HOUSING

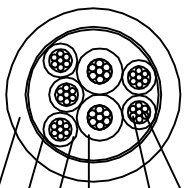
- RED(20AWG) 1
- BLACK(20AWG) 5
- GREEN 4
- GRAY 2
- BROWN 6
- BLUE 3
- ORANGE 7
- NC 8

REFERENCE TABLE:

Model	CyberPower PN	L±T(mm)	W±T(mm)
CBLMLX-020-BLK	1W0-0000162-01G	6060 60	160~170

NO.	PARTS NAME	STANDARD SPECIFICATION	QTY	SUPPLIER
7	MINI TIE	PE/BLACK IN COLOR	2	
6	LABEL	WHITE BLACKGROUND AND BLACK TEXT	1	
5	CABLE SPEC	CABLE SPEC DETAIL SEE CHART A&B	1	
4	2*4P HOUSING/M-OUTER MOLD	MOLDING PVC/BLACK IN COLOR	1	
3	2*4P HOUSING/M-INNER MOLD	MOLDING PE/NATURAL IN COLOR	1	
2	2*4P HOUSING/M-INSULATOR	PBT/BLACK UL94V-0 (P/N:43645)	1	
1	2*4P HOUSING/M-TERMINAL	PHOSPHOR BRONZE/TIN PLATED (P/N:43645-1)	7	QUNYI
STANDARD SPECIFICATION				
MATERIAL LIST				





- 1). CONDUCTOR: BARE COPPER 17/0.16*5C.
- 2). INSULATOR: SR-PVC, ID: 1.3 0.05mm
(ORANGE&BLUE&BROWN&GRAY&GREEN)
- 3). CONDUCTOR: BARE COPPER 21/0.18*2C.
- 4). INSULATOR: SR-PVC, ID: 1.6 0.1mm (RED&BLACK)
- 5). AL/FOIL
- 6). OUTER JACKET PVC, BLACK IN COLOR, OD: 7.0 0.2mm.

CHART A

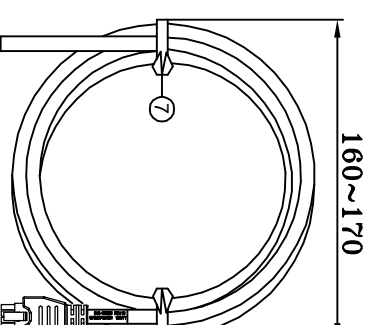
NOTES:

1. CABLE SPECIFICATION: UL2464 20AWG*2C+22AWG*5C.
[21/0.18BC*2C+17/0.16BC*5C+AL/FOIL]*1C.
OUTER JACKET PVC, BLACK IN COLOR, OD: 7.0 0.2mm.

PRINT WORD: "E313087 AW AWM STYLE 2464 80°C 300V VW-1 CYBERPOWER".

2. ELECTRICAL TEST

- <1> .100% OPEN SHORT & MISS WIRE TEST
- <2> .INSULATION RESISTANCE: DC 400V 50M ohm MIN
- <3> .CONDUCTOR RESISTANCE: 3 ohm MAX
- 3. PACKING: 1PCS/PE BAG.



HANK CHART

CyberPower®